

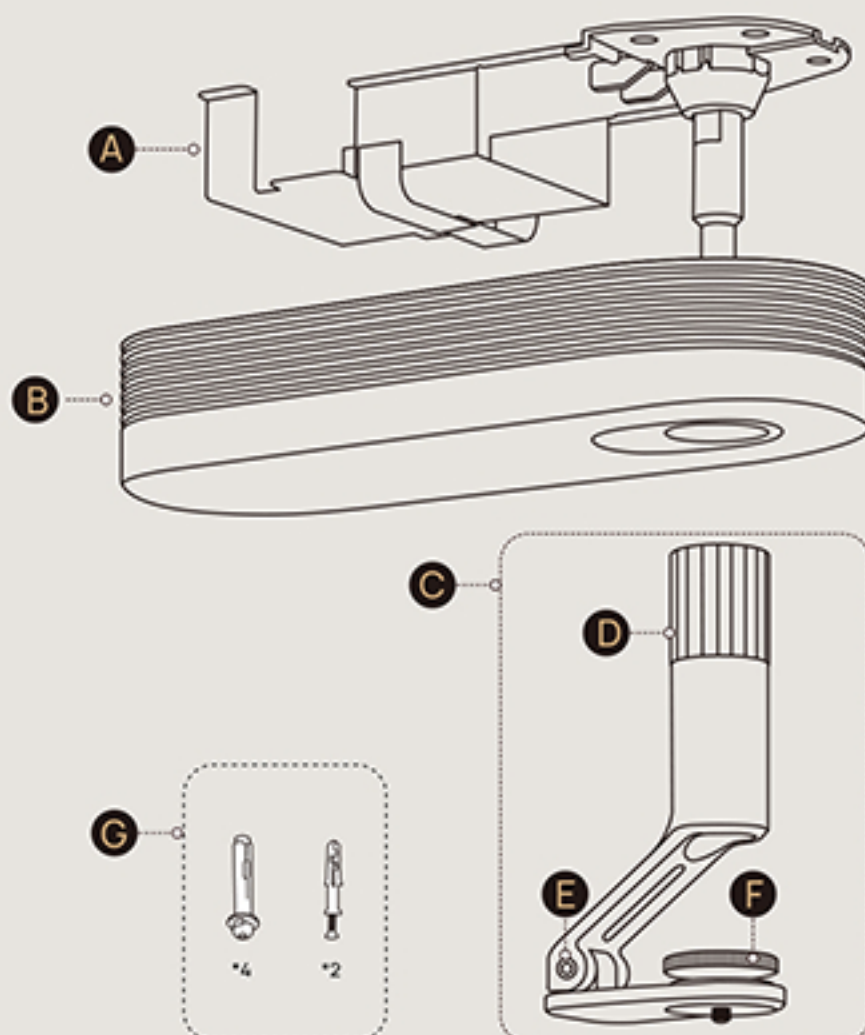
XGIMI Ceiling Mount

Designed for the XGIMI HORIZON Series
(including HORIZON Ultra)

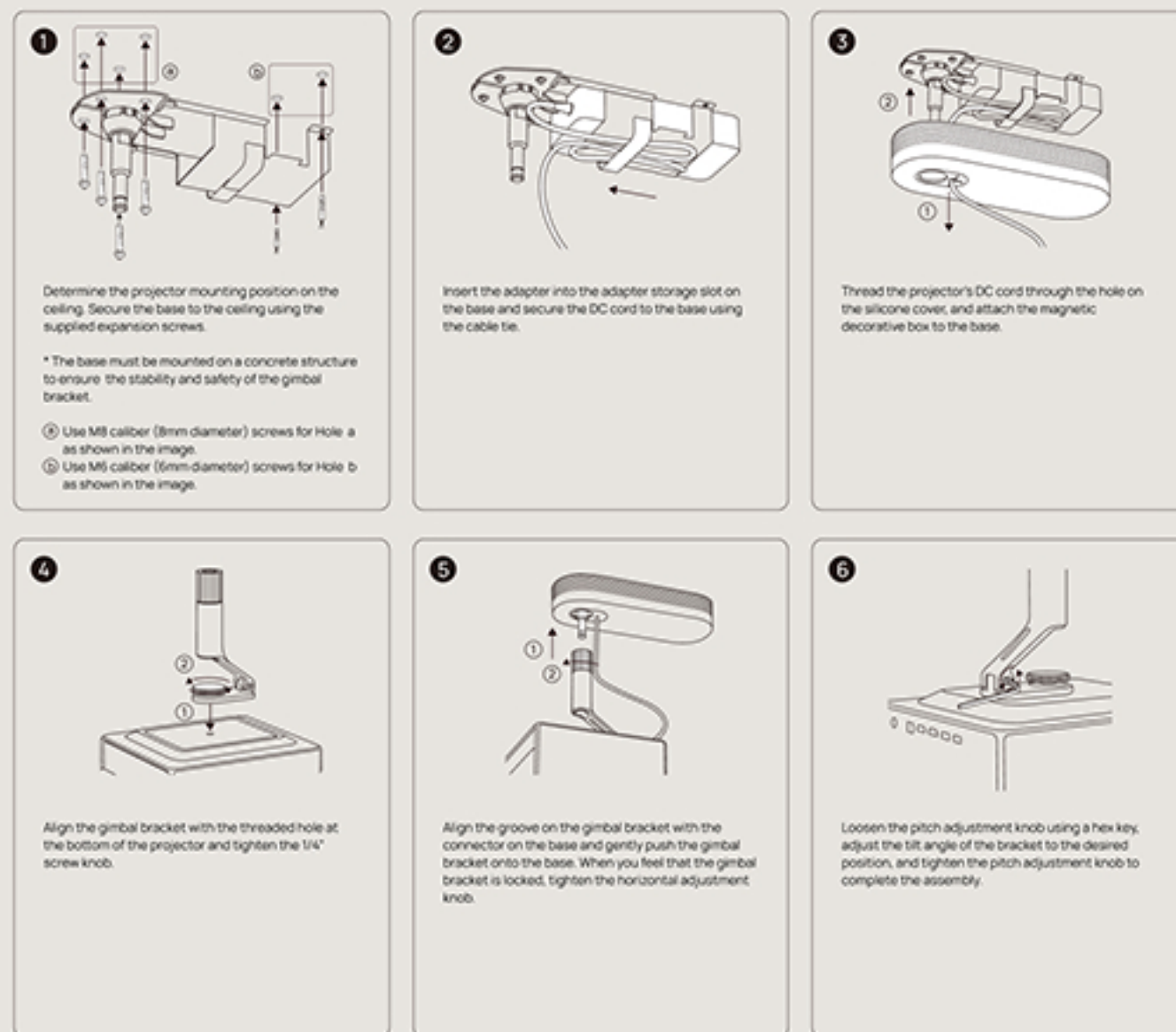
*The box only contains a ceiling mount. Projector not included.



In the Box



In the Box



Precautions

To ensure a better user experience, please read the following notes carefully:

- Follow the 'Installation Guide' and 'Precautions' during installation and use. If the instructions are not followed, the mount or the projector could fall or topple over, causing injury or accident to occur.
- Check that the installation location's structure is concrete and strong enough before installing, and use the optimum installation method by following the 'Installation Guide'.
- Do not perform the installation on any unstable or inclined surface.
- Do not attach anything to this mount except for compatible XGIMI projectors.
- Never loosen the screws or bolts after installation. Ensure that you check for any loose screws or bolts regularly, and if any are loose, tighten them completely.
- After making angle adjustments or orientation, make sure you tighten the knobs or screws completely. For more details, see the 'Installation Guide' supplied.
- Before turning on the projector, make sure the mount is firmly secured.
- Do not cover or block the vent holes alongside the Magnetic decorative box of the mount.
- Please read and follow the instructions carefully to use the installation mounts and the projector safely. Incorrect handling that ignores instructions in this guide could damage this product or result in personal injury or property damage.

In the Box

Product Name	XGIMI Ceiling Mount
Compatible Devices	HORIZON Ultra/HORIZON Pro/HORIZON
Maximum Supported Weight	≤ 6 kg/13 lb
Tilt Range	±12°
Pan/Swivel Range	360°
Color	Iridescent Gold
Product Weight	0.98 kg
Package Dimensions (H*W*D)	172*383*180 mm
Package Weight	1.4 kg
Main Material	Metal + Plastic
In the Box	Mount Stand * 1 Mounting Hardware Kit * 1 (Expansion pipe * 2, Self-tapping screws * 2, Metal expansion screw assembly * 4, Hex key * 1) User Manual * 1