



OBSESSED WITH HIGH RESOLUTION

Ci SERIES

Ci160TS / Ci160TR

Ci200TRb SUBWOOFER

HIDE YOUR SPEAKERS, NOT YOUR SOUND



Introducing the T Series

KEF's T Series of architectural speakers deliver unprecedented performance and flexibility when there is limited space behind the wall or ceiling. Needing less than 36mm (1 ⁷/₁₆ inch) of mounting depth both the Round Ci160TR and Square Ci160TS are the thinnest ever for a two-way speaker design. Complimenting them is the Ci200TRb, a remarkable 200mm (8inch) woofer needing only 59mm (2 ³/₈ inch) of mounting depth.

The KEF Ci T Series 1inch aluminum dome tweeter features KEF's unique "tangerine waveguide" for natural high-frequency response with wide and even dispersion. The rigid, flat, 4.5inch diaphragm of the MF driver (derived from KEF's Ultra-Thin T Series on-wall speakers) provides clean upper bass and mid-range with excellent bass extension – all in an assembly less than 1½-inch thick. Now every installer's nightmare – ductwork, electrical conduits and plumbing situated in the exact spot the in-wall speaker needs to go – can easily be turned into a dream install.

All three model features KEF's Ultra-Thin Bezel (UTB) technology which offers the thinnest possible visible rim around the speaker assembly. With the speaker grilles in place the T Series is indistinguishable from other KEF architectural speakers, giving installers and designers the freedom to place a speaker even in the most challenging of design environments.

All KEF speakers are timbre matched as well, allowing you to mix speakers from different series as necessary. You can easily design a system with KEF's standard-depth architectural speakers and use the T Series in places standard-depth speakers won't work.

The Ci200TRb is the perfect complement to extend the bass response of the Ci160TR and Ci160TS. In passive mode the Ci200TRb can be wired in parallel with the main speakers to deliver the LF response of a world class 200mm (8inch) speaker. While using the Ci200TRb in active mode with a KEF KASA500 system amp will create a thunderous powered subwoofer system, perfect for a discrete home theater installation.

All KEF Ci architectural speakers, including the T Series, are manufactured to Marine Grade Construction standards: The grilles are coated via a proprietary process, the speakers include moisture-resistant terminations and finish materials, and the plastics are UV protected. All are built to withstand harsh salt-spray and humid environments, allowing you to safely use these speakers in applications other speakers simply cannot be considered for – bathrooms, poolside or on your yacht.



KEY FEATURES

Ci160TS / Ci160TR

- <36mm mounting depth allows fitment to very restrictive cavities.
- Paintable Ultra-Thin bezel and magnetic grille to blend unobtrusively with décor.
- Vented 25mm aluminium dome tweeter with “tangerine waveguide” for natural HF response and wide even dispersion.
- Rigid flat diaphragm LF assures clean upper mid-bass and mid-range response.
- Patented low profile LF unit with excellent bass extension.
- Fast versatile installation on any flat surface via dog legs or (Ci160TR only) direct screw fastening.
- Marine Grade construction with UV protection and special grille treatments.

Ci200TRb Subwoofer

- <59mm mounting depth allows fitment to very restrictive cavities.
- Paintable Ultra-Thin bezel and magnetic grille to blend unobtrusively with décor.
- Patented low profile LF unit with excellent bass extension.
- Fast versatile installation on any flat surface via dog legs
- Selectable Dual Voice Coil for stereo or mono operation (passive mode)
- Active mode with KEF KASA500 system amp for true subwoofer response.
- Marine Grade construction with UV protection and special grille treatments.

SPECIFICATIONS



Model		Ci160TR	Ci160TS
Series		T Series	T Series
Nominal impedance		8Ω	8Ω
Sensitivity (2.83V/ 1m)		87dB	87dB
Frequency response (+/-6dB) open-backed		110kHz - 24kHz	110kHz - 24kHz
Crossover frequency		1.7kHz	1.7kHz
Drive units	LF	115mm (4.5in.) dual layer	115mm (4.5in.) dual layer
	HF	25mm (1in.)	25mm (1in.)
Recommended amplifier power		10 - 100W	10 - 100W
Product external dimensions	Diameter Ø	234.6mm (9.24in.)	222.8 x 222.8mm (8.77 x 8.77in.)
	Depth	40mm (1.57in.)	41mm (1.61in.)
Cut-out dimensions	Diameter Ø	196mm (7.71in.)	194 x 194 mm (7.64 x 7.64 in.)
Net weight		1kg (2.2lbs.)	1.05kg (2.3lbs.)
Mounting depth from surface		<36mm (1 7/16in.)	<36mm (1 7/16in.)
Optional rough in frame		RIF160R	RIF160S
Optional rear enclosure		RNC160R	RNC160S

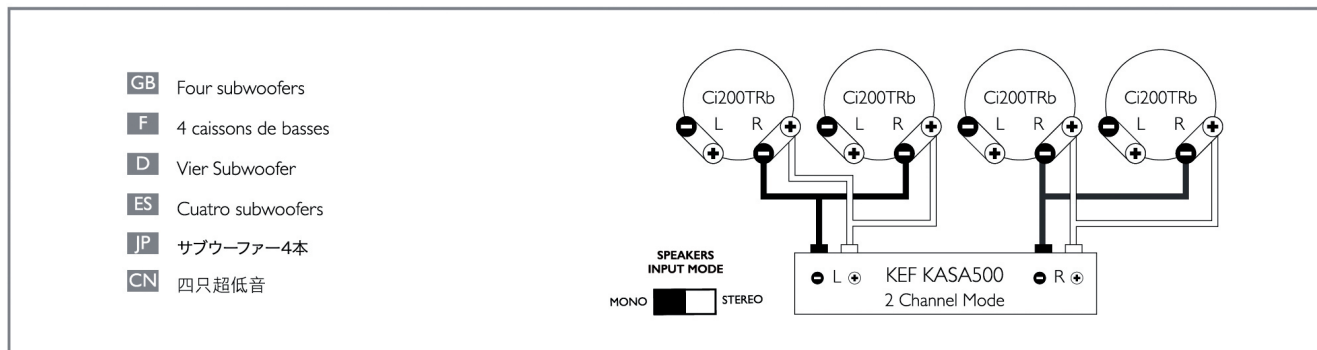
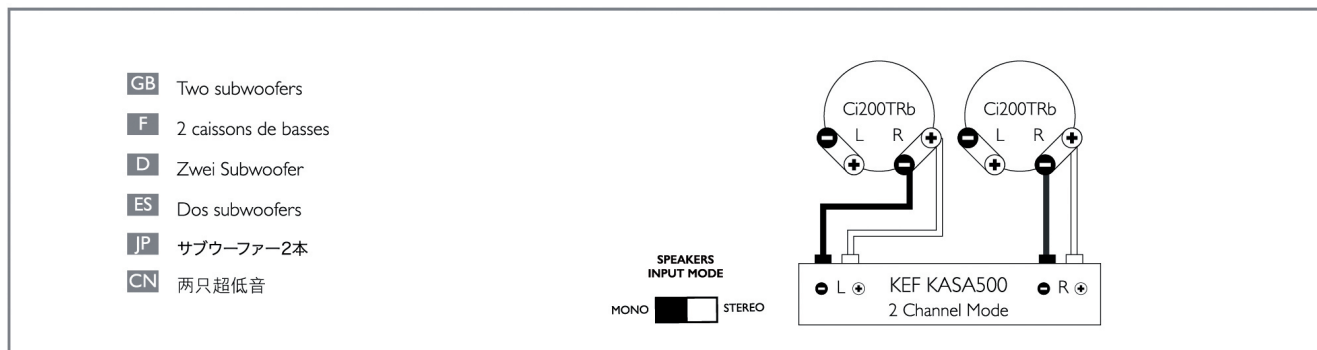
SPECIFICATIONS



Model		Ci200TRb (passive)	Ci200TRb (with KASA500)
Series		T Series	T Series
Nominal Impedance stereo mode		2 x 8Ω	2 x 8Ω
Nominal Impedance mono mode		16Ω	16Ω
Sensitivity (2.83V/ 1m)		87dB	87dB
Frequency response (+/-6dB) open-backed		42kHz - 120kHz	32kHz - 120kHz
Drive Units	LF	200mm (8in.)	200mm (8in.)
Recommended amplifier power		10 - 125 W	KASA500
Product external dimensions	Diameter Ø	290mm (11.41in.)	290mm (11.41in.)
	Depth	63mm (2.48in.)	63mm (2.48in.)
Cut-out dimensions	Diameter Ø	240mm (9.45in.)	240mm (9.45in.)
Net Weight		1.7kg (3.74lbs.)	1.7kg (3.74lbs.)
Mounting depth from surface		59mm (2.32in.)	59mm (2.32in.)
Optional rough in frame		RIF200R	RIF200R
Optional rear enclosure		RNC200R	RNC200R

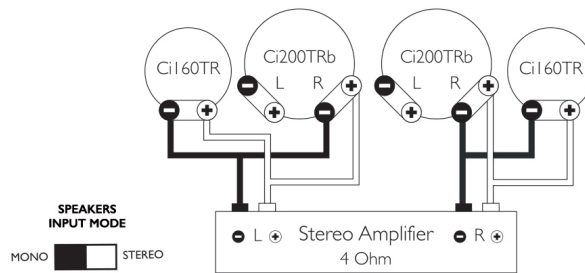
WIRING DIAGRAMS

Active Mode - Mono

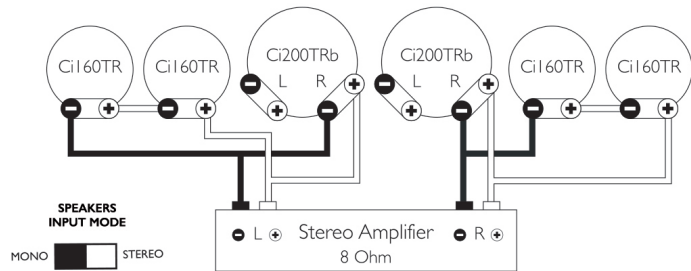


Passive Mode - Mono

- GB** Two satellites and two subwoofers
- F** 2 satellites et 2 caisson de basses
- D** Zwei Satellitenlautsprecher und zwei Subwoofer
- ES** Dos altavoces satélite y dos subwoofers
- JP** サテライトスピーカー2本とサブウーファー2本
- CN** 两只卫星扬声器搭配两只超低音

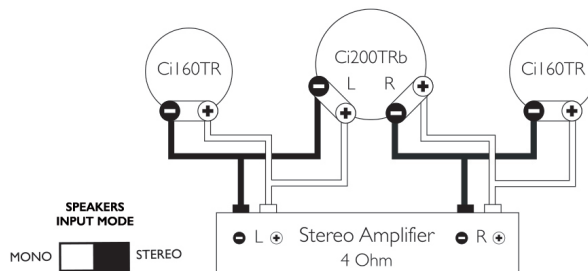


- GB** Four satellites and two subwoofers
- F** 4 satellites et 2 caisson de basses
- D** Vier Satellitenlautsprecher und zwei Subwoofer
- ES** Cuatro altavoces satélite y dos subwoofers
- JP** サテライトスピーカー4本とサブウーファー2本
- CN** 四只卫星扬声器搭配两只超低音

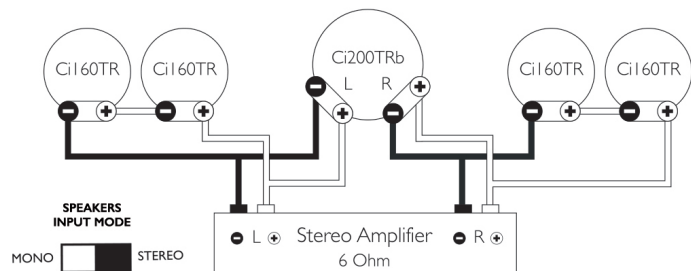


Passive Mode - Stereo

- GB** Two satellites and one subwoofer
- F** 2 satellites et 1 caisson de basses
- D** Zwei Satellitenlautsprecher und ein Subwoofer
- ES** Dos altavoces satélite y un subwoofer
- JP** サテライトスピーカー2本とサブウーファー1本
- CN** 两只卫星扬声器搭配一只超低音



- GB** Four satellites and one subwoofer
- F** 4 satellites et 1 caisson de basses
- D** Vier Satellitenlautsprecher und ein Subwoofer
- ES** Cuatro altavoces satélite y un subwoofer
- JP** サテライトスピーカー4本とサブウーファー1本
- CN** 四只卫星扬声器搭配一只超低音



Visit: KEF.COM for more about KEF and its products.

KEF reserves the right, in line with continuing research and development, to amend or change specifications. E&OE.